

digital

R X8

Engineering Drawings

Digital Equipment Corporation

The material herein is for information purposes only and is subject to change without notice. Digital Equipment Corporation assumes no responsibility for any errors which may appear herein.

These drawings and specifications herein are the property of Digital Equipment Corporation and shall not be reproduced or copied or used in whole or in part as the basis for the manufacture or sale of items without written permission.
Copyright © 1975, Digital Equipment Corporation

DRAWING DIRECTORY

THIS DRAWING AND SPECIFICATIONS, HEREIN, ARE THE PROPERTY OF DIGITAL EQUIPMENT CORPORATION AND SHALL NOT BE REPRODUCED OR COPIED OR USED IN WHOLE OR IN PART AS THE BASIS FOR THE MANUFACTURE OR SALE OF ITEMS WITHOUT WRITTEN PERMISSION. COPYRIGHT © 1975, DIGITAL EQUIPMENT CORPORATION

CUSTOMER PRINT SET INDEX

THIS IS PRINT SET

DRAWING DIRECTORY
SHIPPING LIST
RX8 FLOPPY DISK SYSTEM
RX8-E OMNIBUS INTERFACE

RX8 FLOPPY DISK SYSTEM

SEQUENCE

B-DD-RX8-0
 A-PL-RX8-0-1
 D-UA-RX8-0-0
 D-CS-M8357-0-1

 A-PL-RX8-0-0

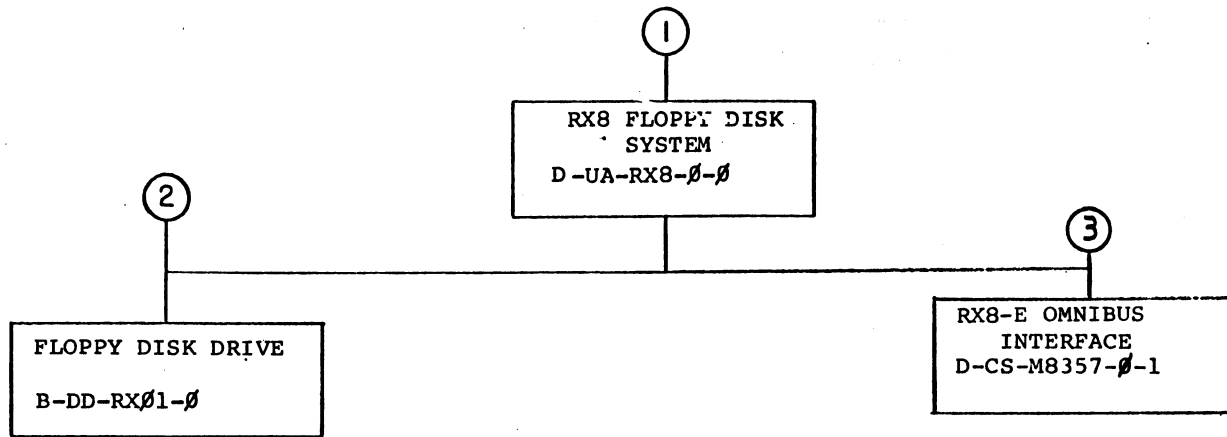
SEQUENCE

UNIT VARIATIONS		PRINT SET	
VAR	TITLE	I	
RX8-AA	RX01-AA & RX8 INTERFACE	X	
RX8-AC	RX01-AC & RX8 INTERFACE	X	
RX8-AD	RX01-AD & RX8 INTERFACE	X	
RX8-BA	RX01-BA & RX8 INTERFACE	X	
RX8-BC	RX01-BC & RX8 INTERFACE	X	
RX8-BD	RX01-BD & RX8 INTERFACE	X	
RX8-DA	RX01-DA & RX8 INTERFACE	X	
RX8-DC	RX01-DC & RX8 INTERFACE	X	
RX8-DD	RX01-DD & RX8 INTERFACE	X	
RX8-E	OMNIBUS INTERFACE (M8357)	X	

DEC 16 (13251-1062-1A-R)72

REVISIONS		
DATE	CHG. NO.	REV
16 June 72	RX8-1	A

USED ON OPTION/MODEL		DRN.	DATE	TITLE		NUMBER	REV
		J. Fleming	2/18/75	RX8 FLOPPY DISK SYSTEM			
		CHK'D	DATE				
		PROJ ENG	DATE				
		FIELD SERV.	DATE				
SHEET 1 OF 3		SIZE	CODE	NUMBER		REV	
		B	DD	RX8-0		A	
		DIST					



TITLE	SHEET 2 OF 3	SIZE CODE	NUMBER	REV
RX8 FLOPPY DISK SYSTEM		B DD	RX8-Ø	A

CUSTOMER PRINT SET		ELECTRICAL					CUSTOMER PRINT SET		MECHANICAL						
1	MFG. SET	FIND NO.	DRAWING NO.	REV	NO OF SHT	DESCRIPTION	OPTION NO./FILE DATE	1	MFG. SET	FIND NO.	DRAWING NO.	REV	NO OF SHT	DESCRIPTION	OPTION NO./FILE DATE
X		1	B-DD-RX8-Ø	#	3	DRAWING DIRECTORY, RX8		X		1	D-UA-RX8-Ø-Ø	#	1	RX8 FLOPPY DISK SYSTEM	
			A-SP-RX8-Ø-1			CHECKOUT PROCEDURE					A-PL-RX8-Ø-Ø	#	1	RX8 FLOPPY DISK SYSTEM P.L.	
X			A-PL-RX8-Ø-3	#	1	SHIPPING LIST					A-PI-3700185-0-0		2	PACKAGING INSTRUCTIONS	
			A-SP-RX8-Ø-4	#	12	ACCEPTANCE PROCEDURE					A-PI-3700193-0-0			CUSTOMER PACKAGING INSTRUCTIONS	
			A SP-RX8-Ø-5	#	11	RX8E ENGINEERING SPECIFICATION									
X		3	D-CS-M8357-Ø-1	#	3	RX8-E OMNIBUS INTERFACE				2	B-DD-RXØ1-Ø	#	3	FLOPPY DISK DRIVE	
			A-SP-M8357-Ø-7		3	ACCEPTANCE TEST PROCEDURE									

CUSTOMER PRINT SET CODES
X = PRINT OF DOCUMENT INCLUDED IN PRINT SET
C = INCLUDES ALL PRINTS INDICATED ON DOCUMENT
S = CONFIDENTIAL AUTHORIZED SIGNATURE REQUIRED

TITLE
RX8 FLOPPY DISK SYSTEM

SIZE CODE
B DD

NUMBER
RX8-Ø

REV
A

SHEET 3 OF 3

DIGITAL EQUIPMENT CORPORATION
MAYNARD, MASSACHUSETTS
PARTS LIST

QUANTITY / VARIATION

MADE BY <i>McCarthy</i>	CHECKED <i>McCarthy</i>	SECTION 1
DATE <i>5/12/75</i>	DATE <i>5/29/75</i>	
ENG <i>Ch...</i>	PROD <i>J. D. Miller</i>	ISSUED SECT. 1
DATE <i>6/13/75</i>	DATE <i>6/13/75</i>	

ITEM NO.	DWG NO. / PART NO.	DESCRIPTION	RX8-AA	RX8-AC	RX8-AD	RX8-BA	RX8-BC	RX8-BD	RX8-E								
			1	E-UA-RX01-AA-0	SINGLE FLOPPY DISK SYSTEM, 115V, 60HZ	1	-	-	-	-	-	-					
2	E-UA-RX01-AC-0	SINGLE FLOPPY DISK SYSTEM, LOW VOLT, 50HZ	-	1	-	-	-	-	-								
3	E-UA-RX01-AD-0	SINGLE FLOPPY DISK SYSTEM, HIGH VOLT, 50HZ	-	-	1	-	-	-	-								
4	E-UA-RX01-BA-0	DUAL FLOPPY DISK SYSTEM, 115V, 60HZ	-	-	-	1	-	-	-								
5	E-UA-RX01-BC-0	DUAL FLOPPY DISK SYSTEM, LOW VOLT, 50HZ	-	-	-	-	1	-	-								
6	E-UA-RX01-BD-0	DUAL FLOPPY DISK SYSTEM, HIGH VOLT, 50HZ	-	-	-	-	-	1	-								
7	D-CS-M8357-0-1	OMNIBUS INTERFACE	1	1	1	1	1	1	1								
8	EM-00002	DRAWING DIRECTORY, RX01	1	1	1	1	1	1	-								
9	EM-00003	DRAWING DIRECTORY, RX8	1	1	1	1	1	1	-								
10	EK-RX01-MM	RX8/RX11 MAINTAINENCE MANUAL	1	1	1	1	1	1	-								
11	3612408-00	DISKETTE	1	1	1	2	2	2	-								
12	A-PI-3700185-0-0	PACKAGING INSTRUCTIONS	1	1	1	1	1	1	1								
13	ZF220RB	RX8 DIAGNOSTIC KIT	1	1	1	1	1	1	-								
14	A-PI-3700193-0-0	CUSTOMER PACKAGING INSTRUCTIONS	1	1	1	1	1	1	1								

TITLE SHIPPING LIST, RX8	ASSY NO.	SIZE	CODE	NUMBER	REV.	ECO NO.
		A	PL	RX8-0-3		
SHEET 1 OF 1	DIST.					

THE DRAWING AND SPECIFICATIONS HEREIN ARE THE PROPERTY OF DIGITAL EQUIPMENT CORPORATION AND SHALL NOT BE REPRODUCED OR COPIED OR USED IN WHOLE OR IN PART AS THE BASIS FOR THE MANUFACTURE OR SALE OF ITEMS WITHOUT WRITTEN PERMISSION. COPYRIGHT © 1975, DIGITAL EQUIPMENT CORPORATION

0-0-8XB M 2

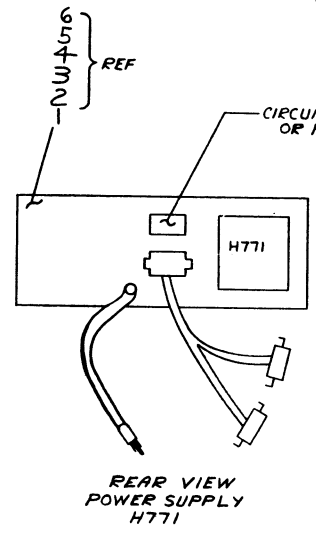
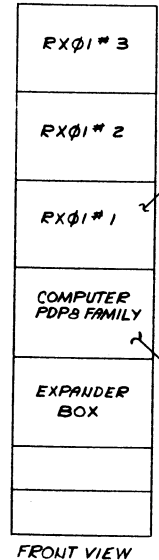
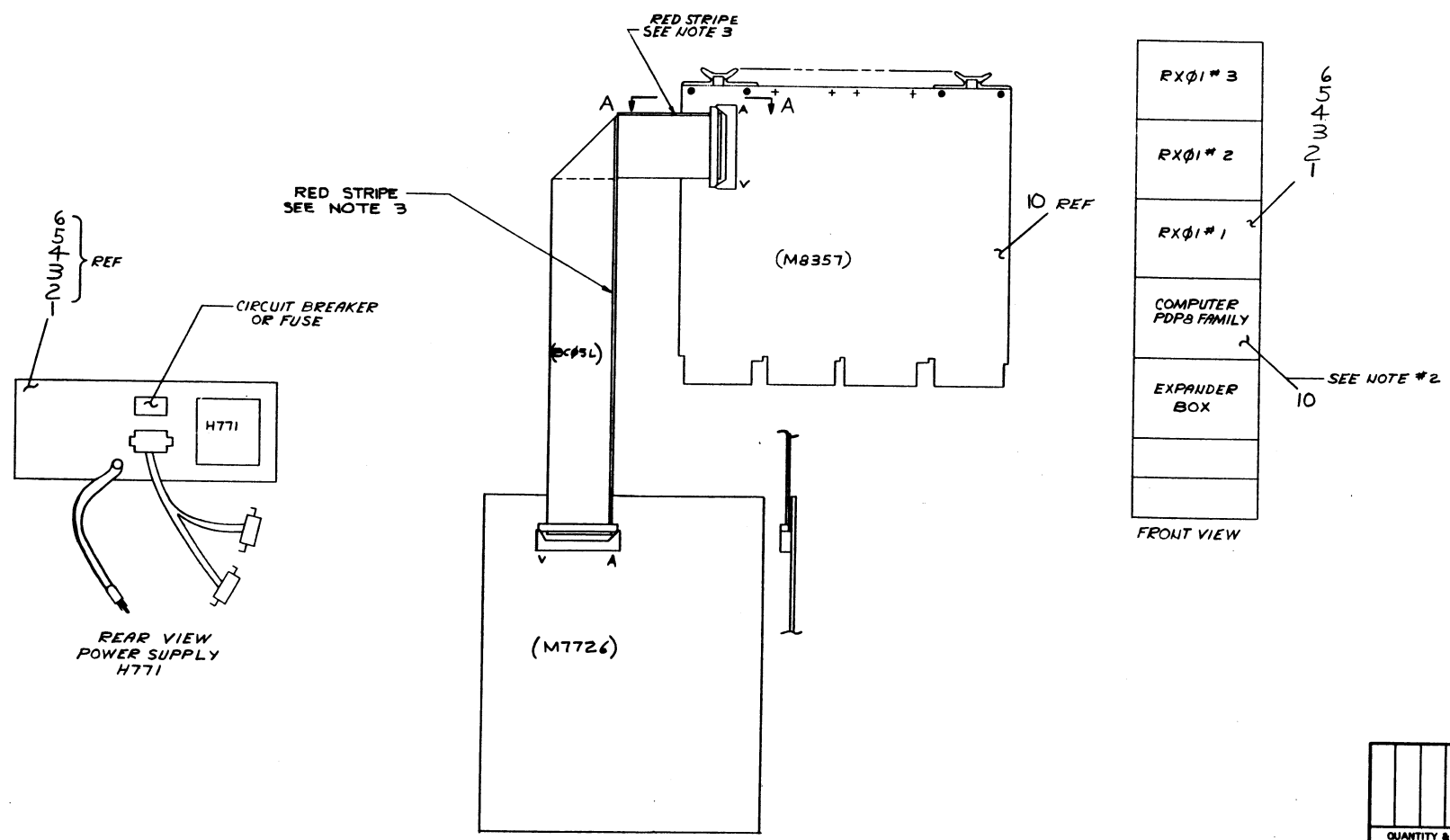
LEGEND

NUMBER	VARIATION
RXB-AA	RX01-AA ≠ RXB-E INTERFACE, 115 V, 60 HZ
RXB-AC	RX01-AC ≠ RXB-E INTERFACE, LOW V, 50 HZ
RXB-AD	RX01-AD ≠ RXB-E INTERFACE, HIGH V, 50 HZ
RXB-BA	RX01-BA ≠ RXB-E INTERFACE, 115 V, 60 HZ
RXB-BC	RX01-BC ≠ RXB-E INTERFACE, LOW V, 50 HZ
RXB-BD	RX01-BD ≠ RXB-E INTERFACE, HIGH V, 50 HZ
RXB-DA	RX01-DA ≠ RXB-E INTERFACE, 115 V, 60 HZ
RXB-DC	RX01-DC ≠ RXB-E INTERFACE, LOW V, 50 HZ
RXB-DD	RX01-DD ≠ RXB-E INTERFACE, HIGH V, 50 HZ
RXB-E	OMNIBUS INTERFACE (M8357)

NOTES:

- ONE (1) BC05L CABLE SUPPLIED WITH EACH RX01.
- ONE (1) M8357 (RXB-E) MODULE REQ'D FOR EACH RX01. FOR TWO (2) OR MORE RX01'S, CHANGE IOT CODES PER DRAWING D-CS-M8357-0-1 FOR EACH RX01 BEYOND #1.
- RED STRIPE ON BC05L CABLE INDICATES PIN "A" ON CONNECTOR.

VIEW A-A

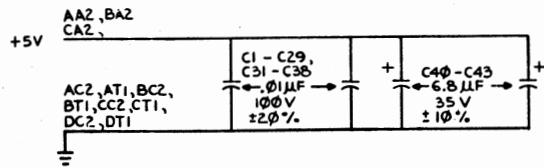
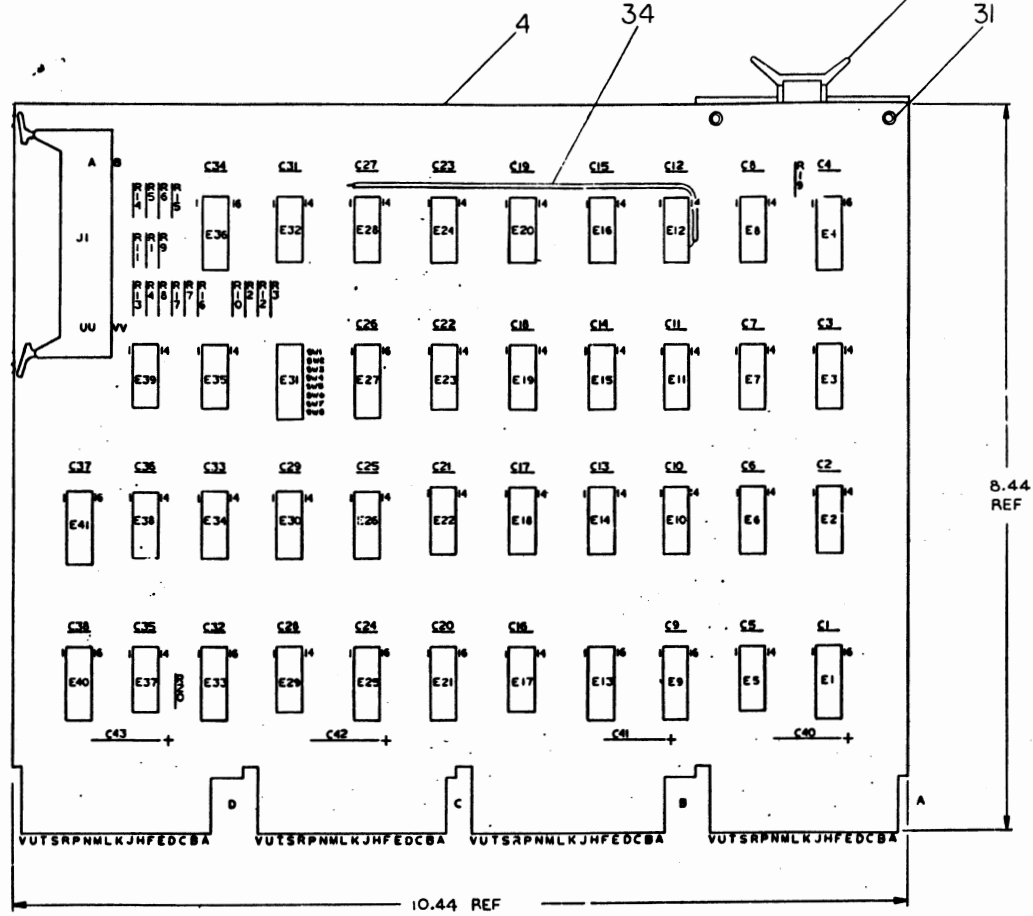
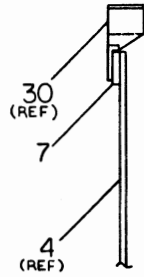


DESCRIPTION		DWG./PART NO.		ITEM NO.	
UNLESS OTHERWISE SPECIFIED DIMENSIONS ARE IN INCHES					
ANGLES ± 30°	CLASS OF ACCURACY	NOMINAL DIMENSION RANGE INCHES			
SURFACE QUALITY IN	(CHECK ONE)	OVER 0 TO 0.2	OVER 0.2 TO 0.5	OVER 0.5 TO 1.0	OVER 1.0 TO 2.0
		0.2	0.5	1.0	2.0
QUANTITY & VARIATION	PREFERRED	1.004	1.008	1.012	1.016
		1.020	1.024	1.028	1.032
MICRONUNCHES		2.5	5.0	10.0	20.0
THIRD ANGLE PROJECTION		DRN'D <i>[Signature]</i> 3/19/75		FIRST USED ON	
REMOVE BURRS AND BREAK SHARP CORNERS		CHK'D <i>[Signature]</i> 5/6/75		PDP8 FAMILY	
DO NOT SCALE DWG		ENG. <i>[Signature]</i> 6/1/75		TITLE	
MATERIAL		PROD. <i>[Signature]</i> 6/1/75		RX8 FLOPPY DISK SYSTEM	
FINISH		NEXT HIGHER ASSY.		SIZE CODE	
A-PL-RXB-0-0		B-DD-RXB-0		D UA	
SCALE NONE		NEXT HIGHER ASSY.		NUMBER	
SHEET 1 OF 1		DIST.		RX8-0-0	

REV.	DATE	BY	CHK

THIS DRAWING AND SPECIFICATIONS, HEREIN, ARE THE PROPERTY OF DIGITAL EQUIPMENT CORPORATION AND SHALL NOT BE REPRODUCED OR COPIED OR USED IN WHOLE OR IN PART AS THE BASIS FOR THE MANUFACTURE OR SALE OF ITEMS WITHOUT WRITTEN PERMISSION.
COPYRIGHT © 1974, DIGITAL EQUIPMENT CORPORATION

NOTES:
 1. UNLESS OTHERWISE SPECIFIED:
 A. ALL RESISTORS ARE 1/4W, ±5%.
 B. ALL UNUSED PINS FOR J1 ARE TIED TO GND



IC TYPE	QTY	LOC
8640	1	8
8837	8	16
74161	8	16
74H10G	13	5
7442	8	16
314	1	8
8271	8	16
384	1	8
IC TYPE	GND	+5V

GND AND +V ARE USUALLY PIN 7 AND 34 RESPECTIVELY EXCEPT WHERE STATED ABOVE

REF	DESCRIPTION	PART NO.	ITEM NO.
	X-Y COORDINATE HOLE LOCATION	K-CO-M8357-0-4	1
	ASSY/DRILLING HOLE LAYOUT	D-AH-M8357-0-5	2
	MODULE ECO HISTORY	B-MH-M8357-0-6	3
1	ETCHED CIRCUIT BOARD	5011374	4
37	C1 - C29, C31 - C38	CAP .01UF 100V 20% DISC	1001610 - 01
4	C40 - C43	CAP 6.8UF 35V 10% STANT	1005306 - 00
4		SPACER, CABLE CLAMP	1202704 - 00
1	J1	CONN 49 PIN RT ANGLE HDR	1209941 - 02
1	E31	SWITCH SPST (8) DIP PACK	1211164 - 04
8	R10 - R17	RES 390 1/4W 5%	1300309 - 00
8	R1 - R8	RES 180 1/4W 5%	1301322 - 00
2	R19 - R20	RES 10K 1/4W 5%	1300479 - 00
6	E2, E7, E15, E22, E26, E30	IC 7474	1905547 - 00
3	E12, E24, E34	IC 7400	1905575 - 00
2	E3, E10	IC 7410	1905576 - 00
1	E28	IC 7420	1905577 - 00
3	E6, E19, E23	IC 7402	1909004 - 00
1	E39	IC 384	1909486 - 00
3	E9, E21, E33	IC 8271	1909615 - 00
3	E8, E32, E38	IC 7404	1909686 - 00
1	E35	IC 314	1909704 - 00
6	E5, E14, E17, E18, E29, E37	IC 8881	1909705 - 00
1	E41	IC 7442	1910046 - 00
1	E16	IC 7408	1910155 - 00
1	E27	IC 74H10G	1910408 - 00
1	E4	IC 74161	1910650 - 00
1	E20	IC 7427	1910878 - 00
4	E1, E25, E36, E40	IC 8837	1911116 - 00
1	E11	IC 8640	1911469 - 00
4		HANDLE, FLIP-CHIP MAGENTA	9008337 - 6
8		EYELET	9006780 - 00
1	(J1)	LATCH, LEFT FOR RT ANG HEADER	1209941 - 03
1	(J1)	LATCH, RIGHT FOR RT ANG HEADER	1209941 - 04
A/R		WIRE, REWORK	9105740 - 55
1	A9	RES 120 1/4W 5%	1300247 - 00

FIRST USED ON OPTION MODEL: RX8E

ETCH BOARD REV: B

DATE: 2/23/74
 CHECKED: [Signature]
 DESIGNED: [Signature]
 DRAWN: [Signature]
 PROD: [Signature]
 NEXT HIGHER ASSY: [Signature]

TITLE: RX8-E OMNIBUS INTERFACE

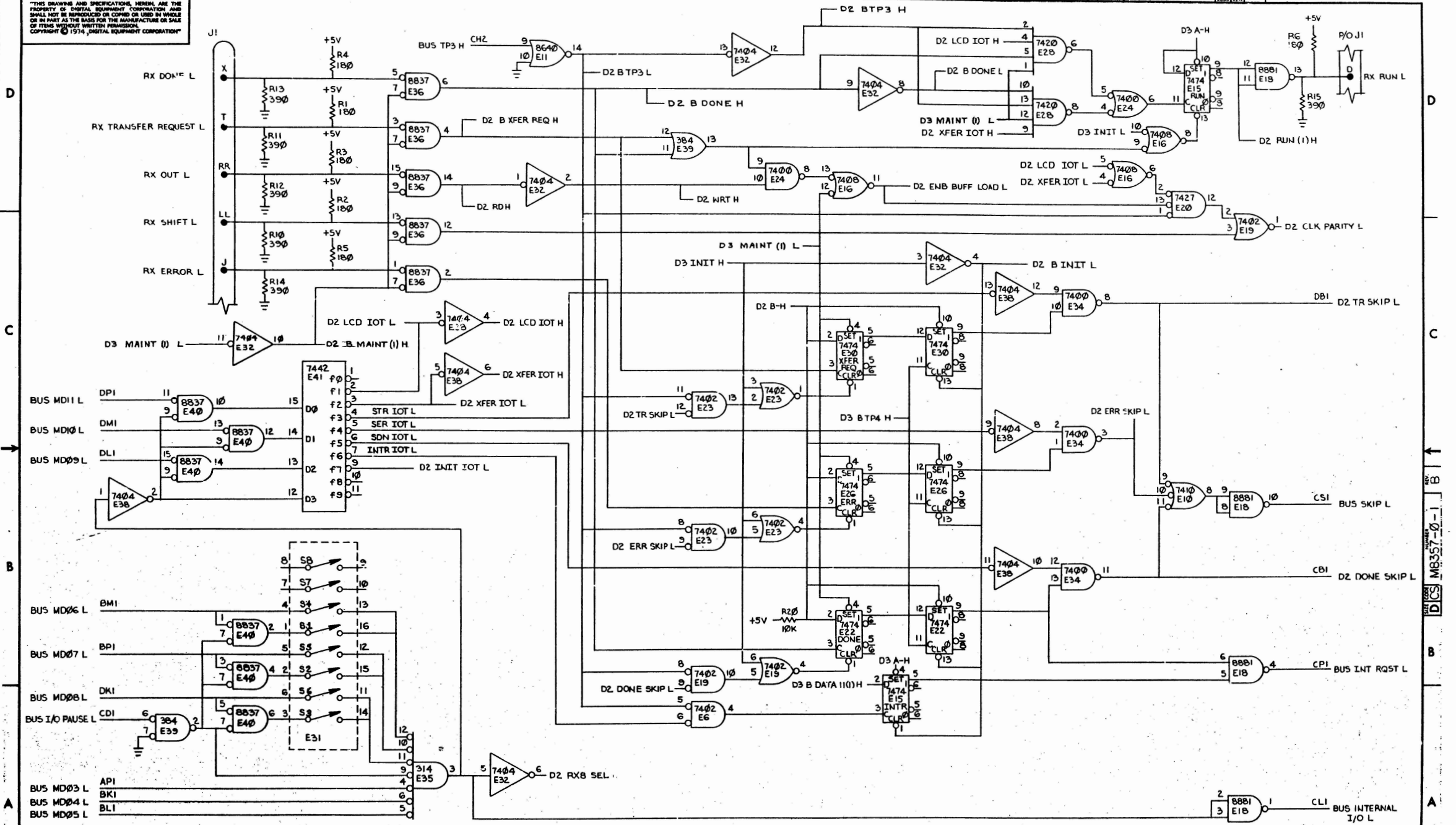
SCALE: 1 OF 3

SIZE CODE: D:CS M8357-0-1

REV: B

SEMICONDUCTOR CONVERSION CHART

"THIS DRAWING AND SPECIFICATIONS HEREIN ARE THE PROPERTY OF DIGITAL EQUIPMENT CORPORATION AND SHALL NOT BE REPRODUCED OR COPIED OR USED IN WHOLE OR IN PART AS THE BASIS FOR THE MANUFACTURE OR SALE OF ITEMS WITHOUT WRITTEN PERMISSION. COPYRIGHT © 1974, DIGITAL EQUIPMENT CORPORATION"

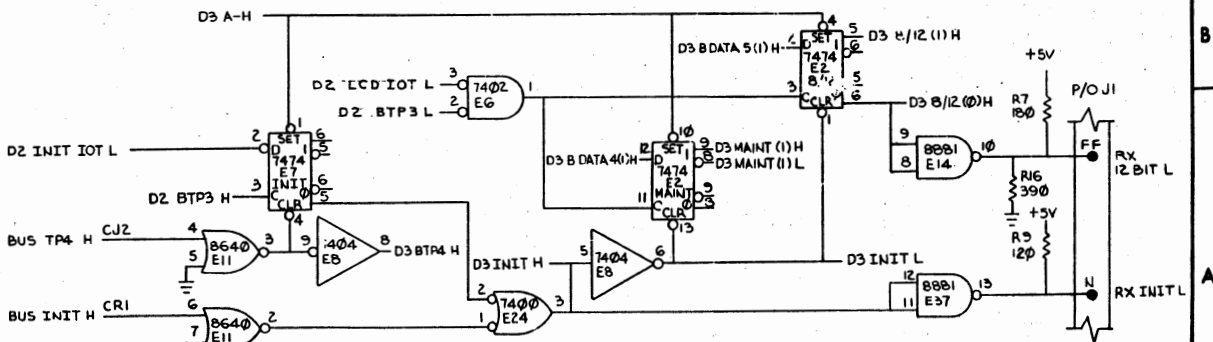
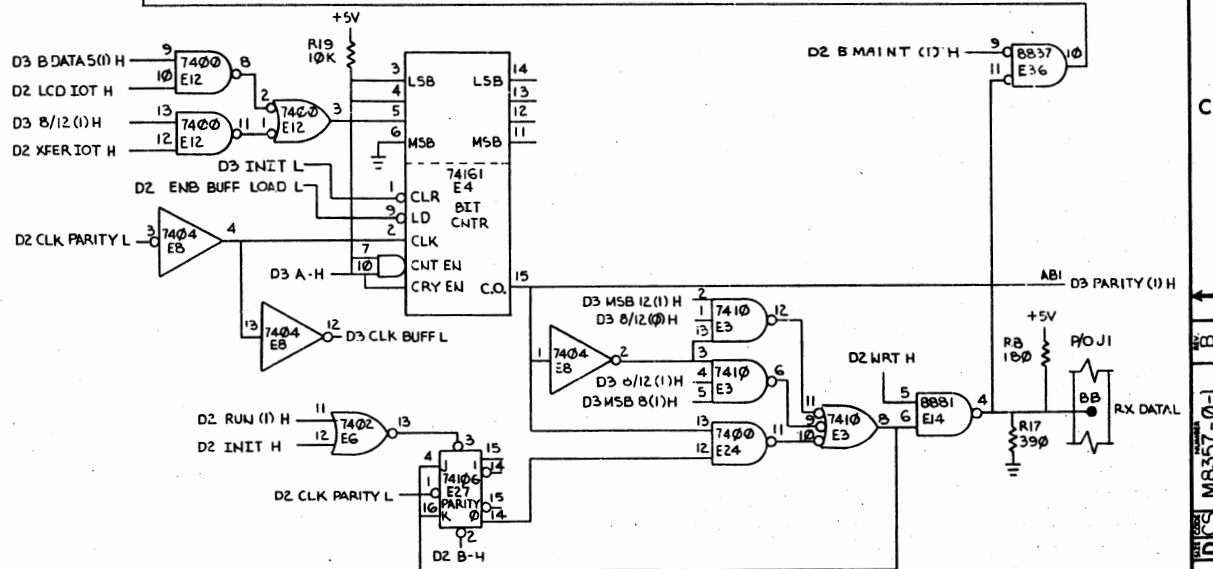
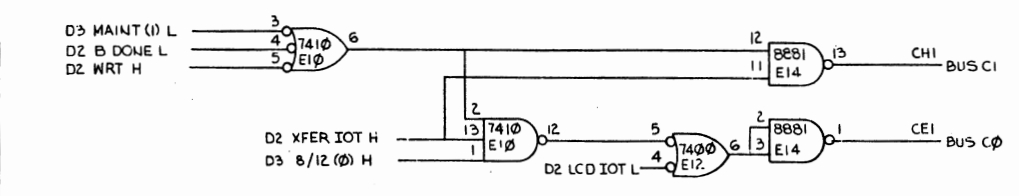
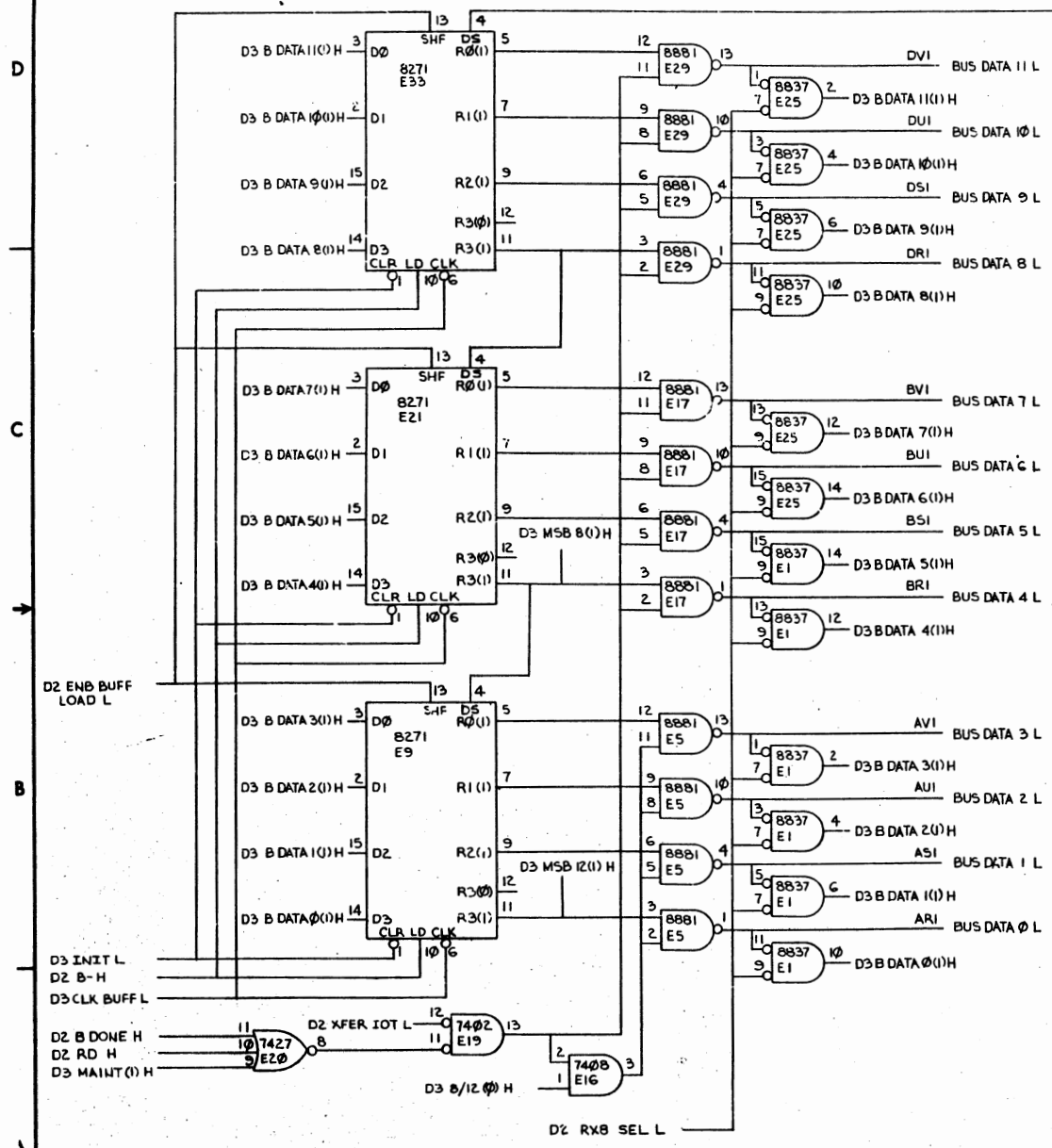


REVISIONS		
CHK	CHANGE NO.	REV.

(DEVICE SELECT, IOT DECODE & RXOI CONTROL LOGIC)

TITLE	RX8-E (D2)	SIZE CODE	DCS	NUMBER	M8357-0-1	REV.	B
SCALE	1	SHEET	2	OF 3	DIST.		

THIS DRAWING AND SPECIFICATIONS HEREIN ARE THE PROPERTY OF DIGITAL EQUIPMENT CORPORATION AND SHALL NOT BE REPRODUCED OR COPIED OR USED IN WHOLE OR IN PART AS THE BASIS FOR THE MANUFACTURE OR SALE OF ITEMS WITHOUT WRITTEN PERMISSION. COPYRIGHT © 1974, DIGITAL EQUIPMENT CORPORATION.



REVISIONS		
CHK	CHANGE NO.	REV.

TITLE		RX8-E (D3)		SIZE CODE	NUMBER	REV.
SCALE		SHEET 3 OF 3		DIST.	D E S	B

DIGITAL EQUIPMENT CORPORATION
MAYNARD, MASSACHUSETTS
PARTS LIST

MADE BY B. McCarthy	CHECKED <i>McCarthy</i> 5/29/75	SECTION 1
DATE 5/12/75	DATE	ISSUED SECT. 1
ENG <i>Chas. G. Spencer</i>	PROD <i>J. Miller</i> 6/13/75	
DATE	DATE	

QUANTITY / VARIATION

ITEM NO.	DWG NO. / PART NO.	DESCRIPTION	RX8-AA	RX8-AC	RX8-AD	RX8-BA	RX8-BC	RX8-BD	RX8-DA	RX8-DC	RX8-DD	RX8-E
1	E-UA-RX01-AA-0	SINGLE FLOPPY DISK, 115V, 60HZ	1	-	-	-	-	-	-	-	-	-
2	E-UA-RX01-AC-0	SINGLE FLOPPY DISK, LOW V, 50HZ	-	1	-	-	-	-	-	-	-	-
3	E-UA-RX01-AD-0	SINGLE FLOPPY DISK, HIGH V, 50 HZ	-	-	1	-	-	-	-	-	-	-
4	E-UA-RX01-BA-0	DUAL FLOPPY DISK, 115V, 60HZ	-	-	-	1	-	-	-	-	-	-
5	E-UA-RX01-BC-0	DUAL FLOPPY DISK, LOW V, 50 HZ	-	-	-	-	1	-	-	-	-	-
6	E-UA-RX01-BD-0	DUAL FLOPPY DISK, HIGH V, 50HZ	-	-	-	-	-	1	-	-	-	-
7	E-UA-RX01-DA-0	RX01-BA W/O BEZEL ASSY	-	-	-	-	-	-	1	-	-	-
8	E-UA-RX01-DC-0	RX01-BC W/O BEZEL ASSY	-	-	-	-	-	-	-	1	-	-
9	E-UA-RX01-DD-0	RX01-BD W/O BEZEL ASSY	-	-	-	-	-	-	-	-	1	-
10	D-CS-M8357-0-1	RX8-E OMNIBUS INTERFACE	1	1	1	1	1	1	1	1	1	1
REF	A-PL-3700185-0-0	IN-PLANT PACKAGING INSTRUCTIONS										
REF	A-PI-3700193-0-0	CUSTOMER PACKAGING INSTRUCTIONS										

TITLE RX8 FLOPPY DISK SYSTEM	ASSY NO. D-UA-RX8-0-0	SIZE A	CODE PL	NUMBER RX8-0-0	REV.	ECO NO.
SHEET 1 OF 1		DIST.				